

Type CA35 Wet-electrolyte Tantalum Capacitors

Features and Applications

1. Silver cased. Hermetically sealed. Axial lead. Tubular. Insulating Sleeve. Polar Capacitors.
2. Excellent and stable electricity performance. High reliability. Low dissipation factor and DC leakage current. Long life. Equal to (Kemet type T111).
3. Suitable for high-request military and consumer electronic equipment such as communication equipment, instruments, astronavigation equipment, etc.

Performance and Characteristics

Operating Temperature: -55°C to $+85^{\circ}\text{C}$. (To $+125^{\circ}\text{C}$ with voltage derating.)

Rated Voltage, Derating Voltage: See table 2.

Capacitance Tolerance: At 100Hz, $+25^{\circ}\text{C}$, $\pm 10\%$; $\pm 20\%$ standard. $\pm 5\%$, special order.

DC Leakage Current at 25°C : $\text{DCL}_{\text{Max}} \leq 0.0008C_R U_R$ (μA) or $1 \mu\text{A}$ (Whichever is greater) .

DC Leakage Current at 85°C , 125°C : $\text{DCL}_{\text{Max}} \leq 0.006C_R U_R$ (μA) or $6 \mu\text{A}$ (Whichever is greater) .

Dissipation Factor (D.F): At 100Hz, $+25^{\circ}\text{C}$. D.F won't exceed the values in table 2.

Impedance (-55°C): No more than maximum limits in table 2.

Dimensions and Weight(Max.): See Outline drawings and table 1.

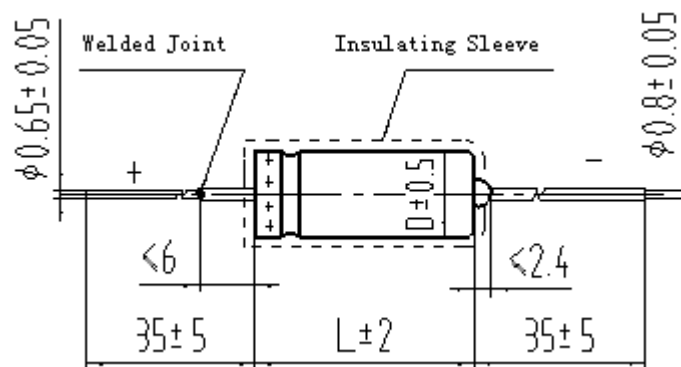


Table 1 Dimensions and Weight (Max.)

Case Code	Weight(Max.) g	D×L mm	
		D	L
1	4	5	14
2	5	6	16
3	7	8	16
4	10	8	22
5	14	10	22
6	17	10	25

Remarks: With insulating sleeves, D(Max.) will be increased 0.4mm, L(Max.) will be increased 1.6mm



Table 2 Rating Voltage, Derating Voltage, Nominal Capacitance, Case Code

Rating Voltage (U _R) V	Derating Voltage (U _C) V	Nominal Capacitance (C _R) μ F	Case Code	D.F.(%) 25°C 85°C 125°C	Impedance -55°C 100Hz Ω
6.3	4	22	1	6	130
		33	1	8	100
		47	1	12	80
		68	1	15	60
		100	2	15	55
		150	2	20	50
		220	3	25	45
		330	3	30	40
		470	4	40	35
		680	5	45	30
		1000	6	50	25
		1200	6	55	20
10	6.3	15	1	6	180
		22	1	6	130
		33	1	10	110
		47	1	12	90
		68	2	12	75
		100	2	12	50
		150	3	18	45
		220	3	25	40
		330	4	30	35
		470	5	35	30
		680	6	40	25
		1000	6	50	20
16	10	10	1	5.7	200
		15	1	5.7	155
		22	1	6	130
		33	1	8	90
		47	2	10	80
		68	2	16	75
		100	3	18	60
		150	3	18	50
		220	4	18	45
		330	5	30	40
		470	6	35	35
		680	6	45	30



Type CA35 Wet-electrolyte Tantalum Capacitors

Table 2(continues)

Rating Voltage (U _R) V	Derating Voltage (U _C) V	Nominal Capacitance (C _R) μ F	Case Code	D.F.(%)	
				25°C	-55°C
				85°C	100Hz
				125°C	Ω
25	16	6.8	1	4.6	300
		10	1	4.6	220
		15	1	6.5	175
		22	1	8.3	130
		33	2	9	100
		47	2	9	70
		68	3	9	60
		100	3	12	50
		150	4	14	45
		220	5	15	45
		330	6	20	35
		470	6	30	30
40	25	4.7	1	4.5	450
		6.8	1	4.5	350
		10	1	4.5	260
		15	1	7	175
		22	2	7	130
		33	2	8	90
		47	3	8	65
		68	3	10	55
		100	4	12	40
		150	5	15	35
		220	6	20	30
		330	6	25	25
63	40	2.2	1	4	1100
		3.3	1	4.5	700
		4.7	1	5	500
		6.8	1	5	350
		10	2	8	260
		15	2	8	150
		22	3	8	120
		33	3	8	85
		47	4	10	70
		68	5	10	55
		100	6	12	50
		150	6	15	40

