

Type CA81 Wet-electrolyte Tantalum Capacitors

Features and Applications

1. Silver cased. Hermetically sealed. Axial lead. Tubular. Insulating Sleeve. Polar Capacitors.
2. Excellent and stable electricity performance. High reliability. Low dissipation factor and DC leakage current. Long life. Small size. Equal to Vishay type CLR69.
3. Suitable for high-request military and consumer electronic equipment such as communication equipment, instruments, astronavigation equipment, etc.

Performance and Characteristics

Operating Temperature: -55°C to $+85^{\circ}\text{C}$. (To $+125^{\circ}\text{C}$ with voltage derating.)

Rated Voltage, Derating Voltage: See table 2.

Capacitance Tolerance: At 100Hz, $+25^{\circ}\text{C}$, $\pm 10\%$; $\pm 20\%$ standard. $\pm 5\%$, special order.

DC Leakage Current DCL_{Max} : Not exceed the values in table 2.

Dissipation Factor (D.F): At 100Hz, $+25^{\circ}\text{C}$. D.F won't exceed the values in table 2.

Impedance (-55°C): No more than maximum limits in table 2.

Dimensions and Weight(Max.): See Outline drawings and table 1

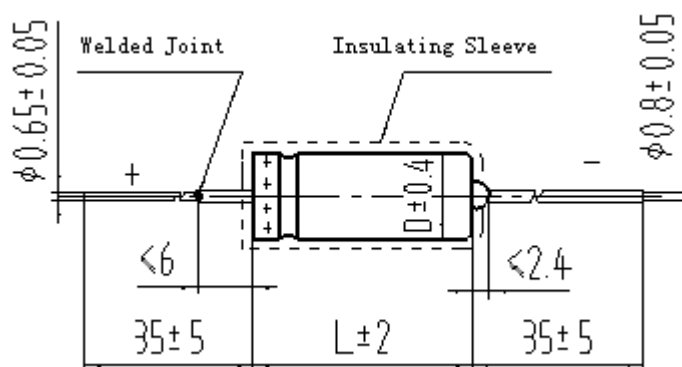


Table 1 Dimensions and Weight (Max.)

Case Code	Weight(Max.) g	D×L mm	
		D	L
T1	4	4.8	11.5
T2	7	7.2	16.3
T3	14	9.5	19.5
T4	19	9.5	27

Remarks: With insulating sleeves, D(Max.) will be increased 0.4mm, L(Max.) will be increased 1.6mm.

Table 2 Rating Voltage, Derating Voltage, Nominal Capacitance, Case Code

Rating Voltage (U _R) V	Derating Voltage (U _C) V	Nominal Capacitance (C _R) μF	Case Code	DCL _{Max} μA		D.F.(%) 25°C 85°C 125°C	Impedance -55°C 100Hz Ω
				25°C	85°C、125°C		
6	4	220	T1	2	9	50	36
		820	T2	3	14	124	18
		1500	T3	5	20	131	18
		2200	T4	6	24	130	13
8	5	180	T1	2	9	41	45
		680	T2	3	14	104	22
		1500	T3	5	20	130	18
		1800	T4	7	25	104	14
10	7	150	T1	2	9	34	54
		560	T2	3	16	84	27
		1200	T3	5	20	104	18
		1500	T4	7	25	91	15
15	10	100	T1	2	9	30	72
		390	T2	3	16	74	31
		820	T3	6	24	90	22
		1000	T4	8	32	80	17
25	15	68	T1	2	9	22	90
		270	T2	3	16	55	33
		560	T3	7	28	76	24
		680	T4	8	32	63	19
30	20	56	T1	2	9	22	100
		220	T2	3	16	42	36
		470	T3	8	32	64	25
		560	T4	9	36	55	20
50	30	33	T1	2	9	12.3	135
		120	T2	4	24	22.5	49
		270	T3	8	32	37	29
		330	T4	9	36	38	22
60	40	27	T1	3	12	10.2	144
		100	T2	4	20	19	54
		220	T3	8	32	30	29
		270	T4	9	36	27	23
75	50	22	T1	3	12	6.5	157
		82	T2	4	24	15.2	63
		180	T3	9	36	24.4	30
		220	T4	10	40	37	24
100	65	10	T1	3	12	4.5	200
		39	T2	5	24	10.4	80
		68	T3	10	40	11.3	40
		120	T4	12	48	25	30
125	85	6.8	T1	3	12	6	300
		27	T2	5	24	7.2	90
		47	T3	10	40	7.9	50
		82	T4	12	48	17.4	32

Remarks: 1) Test Voltage: U=2.2⁰_{-1.0}V; U~1.0⁰_{0.5}V (RMS). Test frequency: 100Hz.
2) To 125°C with voltage derating.